



Add: 14/F, CLOU Building, Baoshen Road South, Hi-tech
Industrial Park North, Nanshan District, Shenzhen, China
Tel : +86 755-3690 1045, 755-3690 1023
+86 755-3690 1025





Enterprise Introduction

Shenzhen CLOU Electronics Co., Ltd. is a national high-tech enterprise which provide equipment and solutions for the smart grid , new energy application , energy saving and emission reduction. In 2007, the enterprise was listed on the Shenzhen Stock Exchange. We now have nearly 66,000 square meters dedicated to research and development base and 100,000 square meters production base as well as large industrial parks for new smart grid in Chengdu, Nanchang and other cities.

As the first private enterprise of academician enterprise workstation in the power industry in China, CLOU Electronics holds the industry's most advanced core technology, is the pioneer in high-energy meter industry and the first brand of domestic standard instrument and electric automation, with independent commitment to the national "863 Program", national Torch Program and many other national projects, made a number of major scientific and technological achievements. As China's leading power equipment manufacturer, our independent research covering the following areas related products:

Smart meters	Meter testing instruments	AMI system
Energy storage system	Power conversion system(PCS)	Lithium battery
EV charging station	Wind power inverter	Frequency inverter
Solar inverter	Off-grid solar solution	EMS
Automatic logistic system	RFID	Distribution network automation
etc.		

CLOU Electronics has more than 500 quality products of proprietary innovation, a number of which were awarded provincial Science and Technology Advancement Award, and obtained patents. Relying on research and development center of strong technology, and adhering development along with production, academia and research, cooperating with many domestic famous universities and research institutions, CLOU Electronics ensure perspective, innovation and continuity of R&D from the source.

Based on advanced project management and knowledge management, CLOU Electronics dedicated to provide users with professional, table and most valuable products and services bringing together more than 2,500 technical, marketing, management elite; we established large-scale products development, sales and service system, with subsidiaries such as Software CLOU, CLOU Power Technology, Chengdu CLOU Island, CLOU Frequency Inverter, than 30 provinces in China. Meanwhile, our products are exported to more than 60 countries and regions.

With international vision, CLOU Electronics is confident to meet the challenges, to build a world-class energy services provider and build a world-class century conglomerate.

Being a world-class energy services provider.

DDS720 Single Phase Electronic Meter

DDS720 is a multifunctional single phase meter with features of long service life, high reliability, high overload withstand, low power consumption, compact design, and light weight. It is capable to implement both Uni-directional and Bi-directional measurement of active energy and reactive energy both in phase and neutral with extensive anti-tamper features. DDS720 is perfectly suited for residential application where requires economical and instant implementation.

Functions

- Support Bi-directional and Uni-directional measurement
- Auto scroll mode display
- Push-button scroll display
- Screw sealing
- Tamper detection

Options

- Reactive energy measurement
- Neutral current measurement
- Multi tariff (TOU/TOD, Tier)
- Electrical pulse output
- Replaceable battery
- Remote control
- AMI integrate



Technical Parameters

Item	Parameter
Rated Voltage (Un)	110 V, 120 V, 220 V
Working Voltage Range	0.7 ~ 1.2 Un
Rated Frequency	50/60 Hz
Current	5(60) A, 5(80) A, 5(100) A
Starting Current	0.4 % Ib
Voltage Circuit Power Consumption	≤ 0.8 W, 1.5 VA
Current Circuit Power Consumption	≤ 1VA
Display	LCD
Meter Constant	800 imp/kWh, 1200 imp/kWh, 1600 imp/kWh
Working Temperature Range	-25 °C ~ 70 °C
Storage Temperature Range	-40 °C ~ 70 °C
Humidity	≤ 95 %
Accuracy Class	Active Class 1.0
Protection Class	IP54
Communication Interfaces	Infrared, RS485
Dimesion	151.6 × 102 × 53 mm

DSS718 Two Phase Electronic Meter

DSS718 two phase three wire electronic watt-hour meter features with long life time, high reliability, high overload withstand, low power consumption and display at power outage. It is capable to implement both Bi-directional and Uni-directional measurement of active energy and reactive energy in phase and neutral with extensive anti-tamper features. DSS718 is specially designed for application in two phase three wire grid system with voltage difference.

Functions

- Support Bi-directional and Uni-directional measurement
- Auto scroll mode display
- Screw sealing
- Tamper detection

Options

- Reactive energy measurement
- Neutral current measurement
- Push-button scroll display
- Multi tariff (TOU/TOD, Tier)
- Electrical pulse output
- Remote control
- AMI integrate



Technical Parameters

Item	Parameter
Rated Voltage (Un)	2 × 110/220 V, 2 × 120/240 V
Working Voltage Range	0.7 ~ 1.2Un
Rated Frequency	50/60 Hz
Current	2 × 5(40) A, 2 × 5(60) A, 2 × 5(80) A, 2 × 5(100) A
Starting Current	0.4 % Ib
Voltage Circuit Power Consumption	≤ 2 W, 10 VA
Current Circuit Power Consumption	≤ 4 VA
Display	LCD
Meter Constant	800 imp/kWh, 1200 imp/kWh, 1600 imp/kWh
Working Temperature Range	-25 °C ~ 70 °C
Storage Temperature Range	-40 °C ~ 70 °C
Humidity	≤ 95 %
Accuracy Class	Active Class 1.0
Protection Class	IP54
Communication Interfaces	Infrared, RS485
Dimesion	179 × 135 × 53 mm

CL710N21 Single Phase Electronic Meter

CL710N21 is an advanced single phase watt-hour meter targeted for sophisticated residential metering where requires diverse measurement data. The meter is built with high quality components to provide perfect accuracy and excellent performance, offering one reliable solution for several applications. It is compliant with the latest IEC 62052-11, IEC 62053-21, IEC 62053-23 and DLMS/COSEM standards. The meter adopts high grade engineering Polycarbonate (PC) for the housing of the meter, enabling installation outdoors in harsh environments.

Functions

- Support Bi-directional and Uni-directional measurement
- Auto scroll mode display
- Push-button scroll display
- Programmable auto/push-button scroll display item
- Screw sealing
- Tamper detection
- Event log

Options

- Reactive energy measurement
- Neutral current measurement
- Real time clock (RTC)
- Multi tariff (TOU/TOD, Tier)
- Electrical pulse output
- External replaceable battery
- Display when power-off
- Long/short terminal cover
- Remote control
- AMI integrate



Technical Parameters

Item	Parameter
Rated Voltage (Un)	110 V, 120 V, 220 V, 230 V, 240 V
Working Voltage Range	0.7 ~ 1.2 Un
Rated Frequency	50/60 Hz
Current	5(60) A, 5(80) A, 5(100) A
Starting Current	0.4 % Ib
Voltage Circuit Power Consumption	≤ 0.5 W, 1 VA
Current Circuit Power Consumption	≤ 0.8 VA
Display	LCD
Meter Constant	800 imp/kWh, 1200 imp/kWh, 1600 imp/kWh
Working Temperature Range	-25 °C ~ 70 °C
Storage Temperature Range	-40 °C ~ 70 °C
Humidity	≤ 95 %
Accuracy Class	Active Class 1.0
Protection Class	IP54
Communication Interfaces	Infrared, RS485
Dimesion	169 × 112 × 50 mm

DTS718 Three Phase Electronic Meter

DTS718 is a polyphase multi-functional meter used for measurement of active, reactive energy in four quadrants, demand as well as other configurable energy quality in three-phase four-wire networks. DTS718 is ready to suit many diverse customer requirements and its high quality enables meter to deliver reliable performance in various environments and supply ranges, complying latest IEC standards and DLMS/COSEM. Meanwhile, it provides a wide variety of functions to meet with the current and future requests.

Functions

- Support Bi-directional and Uni-directional measurement
- Reactive energy measurement
- Multi tariff (TOU/TOD, Tier)
- Auto scroll mode display
- Push-button scroll display
- Programmable auto/push-button scroll display item
- Screw sealing
- Tamper detection
- Event log

Options

- Real time clock (RTC)
- MD (maximum demand) measurement
- Load profile function
- Electrical pulse output
- External replaceable battery
- Display when power-off
- Long/short terminal cover
- Remote control
- AMI integrate



Technical Parameters

Item	Parameter
Rated Voltage (Un)	3 × 220/380 V, 3 × 230/400 V, 3 × 240/415 V
Working Voltage Range	0.7 ~ 1.3 Un
Rated Frequency	50/60 Hz
Current	3 × 5(40) A, 3 × 5(60) A, 3 × 5(80) A, 3 × 10(100) A
Starting Current	0.4 % Ib (Class 1)
Voltage Circuit Power Consumption	≤ 1 W, 2 VA
Current Circuit Power Consumption	≤ 1 VA
Display	LCD
Meter Constant	800 imp/kWh, 1200 imp/kWh, 1600 imp/kWh
Working Temperature Range	-25 °C ~ 70 °C
Storage Temperature Range	-40 °C ~ 70 °C
Humidity	≤ 95 %
Accuracy Class	Active 1.0 / Reactive 2.0
Protection Class	IP54
Communication Interfaces	Infrared, RS485
Dimesion	240 × 154 × 50 mm

CL710C02 Single Phase Keypad Prepayment Electronic Meter

CL710C02 single phase keypad prepayment watt-hour meter is ideal for residential metering application requiring revenue and energy management. Its compact design provides a capacitive keypad and LCD display to ensure easy operation for the customers, while it provides flexible and secure revenue management for energy suppliers. With perfect accuracy and high quality, the meter delivers an excellent and stable performance. It is compliant with IEC 62052-11, IEC 62053-21/23, IEC 62056-21, STS standards, and supports CTS configuration. The meter supports split configuration with a User Interface Unit (UIU) installed in an easily accessible location for customers. Its housing uses high grade Polycarbonate (PC) to enable the meter to be installed outdoors in harsh environments.

Functions

- Support Bi-directional and Uni-directional measurement
- Prepayment/post-payment mode switch function in STS standard
- Auto scroll mode display
- Keypad operation display
- Programmable auto scroll display item
- Screw sealing
- Tamper detection
- Build-in relay control
- Event log



Options

- Real time clock (RTC)
- Reactive energy measurement
- Neutral current measurement
- Multi tariff (TOU/TOD, ladder)
- Electrical pulse output
- Display when power-off
- Long/short terminal cover
- Remote control
- Magnet detection
- UIU (user interface unit) by PLC/RF/Cable communication
- AMI integrate

Technical Parameters

Item	Parameter
Rated Voltage (Un)	110 V, 120 V, 220 V, 230 V, 240 V
Working Voltage Range	0.7 ~ 1.3 Un
Rated Frequency	50/60 Hz
Current	5(40) A, 5(60) A, 5(80) A
Starting Current	0.4 % Ib
Voltage Circuit Power Consumption	≤ 2 W, 10 VA
Current Circuit Power Consumption	≤ 4 VA
Display	LCD
Meter Constant	800 imp/kWh, 1200 imp/kWh, 1600 imp/kWh
Working Temperature Range	-25 °C ~ 70 °C
Storage Temperature Range	-40 °C ~ 70 °C
Humidity	≤ 95 %
Accuracy Class	Active Class 1.0
Protection Class	IP54
Communication Interfaces	Infrared, RS485
Dimesion	163 × 130 × 56.5 mm

CL730S1 Three Phase Keypad Prepayment Electronic Meter

CL730S1 three phase keypad prepayment meter is suitable for different applications including residential, commercial and light industrial scenarios. The meter is fully designed to fulfill the requirements of IEC 62052-11, IEC 62053-21/23, IEC 62056-21 and STS standards, while supporting CTS configuration. The meter is manufactured with advanced technology and high quality component materials to promise long-term accuracy and deliver an excellent and stable performance with abundantly beneficial features. The meter provides the option of User Interface Unit (UIU) for easy operation by the customers. The meter is also equipped with advanced anti-tamper and resistance protection features, making it ideal for installation in a variety of aggressive environments.

Functions

- Support Bi-directional and Uni-directional measurement
- Prepayment/post-payment mode switch function in STS standard
- Reactive energy measurement
- Auto scroll mode display
- Keypad operation display
- Programmable auto scroll display item
- Screw sealing
- Tamper detection
- Build-in relay control
- Event log



Options

- Real time clock (RTC)
- Neutral current measurement
- MD (maximum demand) measurement
- Load profile function
- CT operation mode
- Multi tariff (TOU/TOD, Tier)
- Electrical pulse output
- Display when power-off
- Long/short terminal cover
- Remote control
- Magnet detection
- UIU (user interface unit) by PLC/RF/Cable communication
- DLMS/COSEM compliant
- AMI integrate

Technical Parameters

Item	Parameter
Rated Voltage (Un)	3 × 220/380 V, 3 × 230/400 V, 3 × 240/415 V
Working Voltage Range	0.7 ~ 1.3 Un
Rated Frequency	50/60 Hz
Current	CT 3 × 1(4) A, 3 × 1.5(6) A, 3 × 5(6) A, 3 × 5(20) A Directly Connected: 3 × 5(40) A, 3 × 5(60) A, 3 × 5(80) A, 3 × 5(100) A
Starting Current	0.1 % Ib (Class 1)
Voltage Circuit Power Consumption	≤ 2 W, 10 VA
Current Circuit Power Consumption	≤ 4 VA
Display	LCD
Meter Constant	800 imp/kWh, 1200 imp/kWh, 1600 imp/kWh
Working Temperature Range	-25 °C ~ 70 °C
Storage Temperature Range	-40 °C ~ 70 °C
Humidity	≤ 95 %
Accuracy Class	Class 0.5 s (Indirect Connected) /1.0 (Direct Connected), Reactive Class 2.0
Protection Class	IP54
Communication Interfaces	Infrared, RS485
Dimesion	226 × 170 × 72.5 mm

CL710K1/CL730S11 Single/Three Phase Smart Meter

CL710K1/CL730S11 Single/Three phase smart meters provide an integrated solution for electricity utilities in bill collection. Adopting numeric Token for diversified recharging methods, they support both Standard Transfer Specification (STS) and Currency Transfer Specification (CTS) for intuitive reading and understanding by the consumer. This feature enriched meter series provides enhanced tamper protection to prevent various tampering attempts, while recording such events for inquiry. Its flexible payment mode can work both in post payment mode and prepayment mode, and it offers User Interface Unit (UIU) as an optional extend auxiliary device. With plug-and-play the communication module perfectly accommodating PLC/RF/GPRS/3G/LTE, the meters offer the scalability for future AMI integration by the utilities.

Functions

- Support Bi-directional and Uni-directional measurement
- Prepayment/post-payment mode switch function in STS standard
- Reactive energy measurement
- MD (maximum demand) calculation
- Auto scroll mode display
- Keypad operation display
- Programmable auto scroll display item
- Screw sealing
- Tamper detection
- Build-in relay control
- Event log
- Plug and play modularized design for PLC/RF/GPRS/3G/LTE up-link communication
- AMI integrate



Options

- Real time clock (RTC)
- Neutral measurement
- Multi tariff (TOU/TOD, Tier)
- Electrical pulse output
- Display when power-off
- Long/short terminal cover
- Remote control
- Remote firmware update
- Event report active
- Magnet detection
- UIU (user interface unit) by PLC/RF/Cable communication
- DLMS/COSEM compliant
- External replaceable battery

Technical Parameters

Item	CL710K1	CL730S11
Rated Voltage	220 V, 230 V, 240 V	3 × 220/380 V, 3 × 230/400 V, 3 × 240/415 V
Working Voltage Range		0.6 ~ 1.1 Un
Rated Frequency		50 Hz
Current	5(40) A, 5(60) A, 5(80) A, 5(100) A	3 × 5(40) A, 3 × 5(60) A, 3 × 5(80) A, 3 × 10(100) A
starting Current		0.4 % Ib
Voltage Circuit Power Consumption		≤ 2 W, 6 VA
Current Circuit Power Consumption		≤ 4 VA
Display		LCD
Meter Constant		1200 imp/kWh, 1600 imp/kWh, 800 imp/kWh
Working Temperature Range		-25 °C ~ 70 °C
Storage Temperature Range		-40 °C ~ 70 °C
Humidity		≤ 95 %
Accuracy Class		Active Class 1.0
Protection Class		IP54
Communication Interfaces		RS485, infrared, PLC / RF / GPRS (optional up-link communication)
Dimesion	217 × 130 × 73.5 mm	285 × 175 × 91 mm

CL710K22/CL730S22 Single/Three Phase Smart Meter

CL710K22/CL730S22 Single/Three phase smart prepayment energy meters are the latest developed products in CLOU's prepayment meter series. Certificated with MID and DLMS/COSM, they provide an excellent and stable accuracy and performance and scalability for AMI integration. The meters are equipped with a plug-and-play communication module for PLC/RF/GPRS/3G communication facilities. A User Interface Unit (UIU) can be added to the meter through the communication cable and optionally RF and PLC. Meter credit recharge can be done manually and also remotely from the central server through GPRS. The meters support exchangeable payment between prepayment and post payment. The meter keeps records of different tamperers and can be configured to switch off the load supply when the tamper occurs.

Functions

- Support Bi-directional and Uni-directional measurement
- Prepayment/post-payment mode switch function in STS standard
- Reactive energy measurement
- MD (maximum demand) measurement
- Auto scroll mode display
- Keypad operation display
- Programmable auto scroll display item
- Screw sealing
- Tamper detection
- Build-in relay control
- Event log
- Plug and play modularized design for PLC/RF/GPRS/3G/LTE up-link communication
- AMI integrate



Options

- Real time clock (RTC)
- Neutral current measurement
- Multi tariff (TOU/TOD, Tier)
- Electrical pulse output
- Display when power-off
- Long/short terminal cover
- Remote control
- Remote firmware update
- Event report active
- Magnet detection
- UIU (user interface unit) by PLC/RF/Cable communication
- DLMS/COSEM compliant
- External replaceable battery

Technical Parameters

Item	CL710K22	CL730S22
Rated Voltage	220 V, 230 V, 240 V	3 × 220/380 V, 3 × 230/400 V, 3 × 240/415 V
Working Voltage Range		0.6 ~ 1.3 Un
Rated Frequency		50 Hz
Current	5(40) A, 5(60) A, 5(80) A, 5(100) A	3 × 5(40) A, 3 × 5(60) A, 3 × 5(80) A, 3 × 10(100) A
starting Current		0.4 % Ib
Voltage Circuit Power Consumption		≤ 2 W, 10 VA; ≤ 2 W, 6 VA
Current Circuit Power Consumption		≤ 4 VA
Display		LCD
Meter Constant		800 imp/kWh, 1200 imp/kWh, 1600 imp/kWh
Working Temperature Range		-25 °C ~ 70 °C
Storage Temperature Range		-40 °C ~ 70 °C
Humidity		≤ 95 %
Accuracy Class		Active Class 1.0
Protection Class		IP54
Communication Interfaces		RS485, infrared, PLC / RF / GPRS (optional up-link communication)
Dimesion	217.3 × 130 × 83.3 mm	286 × 175 × 92.3 mm

CL730D22L/H Three Phase Smart Meter

CL730D22L/H three phase smart watt-hour meter is ideally suitable for large and medium size commercial and industrial applications, fully incorporates the requirements of the smart grid market and the distributed generation trend. Its plug-and-play communication module supports RF/GPRS/3G/LTE communication facilities, which facilitate the AMI integration and implementation by the utilities, while the meter offer accuracy class 0.5s which provides more accurate billing data that improves the revenue management for the customers.

Functions

- Support Bi-directional and Uni-directional measurement
- Prepayment/post-payment mode switching
- Reactive energy measurement
- MD (maximum demand) measurement
- Load profile record
- Auto scroll mode display
- Keypad operation display
- Programmable auto scroll display item
- Screw sealing
- Tamper detection
- Event log
- Plug-and-play modularized design for GPRS/3G/LTE up-link communication
- AMI integrate



dlms
CE M16 0120

Options

- Real time clock (RTC)
- Multi tariff (TOU/TOD, Tier)
- Electrical pulse output
- MCB control input
- Remote control
- Remote firmware update
- Event report active
- Magnet detection
- DLMS/COSEM compliant
- External replaceable battery

Technical Parameters

Item	CL730D22L	CL730D22H
Rated Voltage	3 × 220/380 V, 3 × 230/400 V, 3 × 240/415 V	3 × 57.7/100 V
Working Voltage Range	0.6 ~ 1.1Un	
Rated Frequency	50 Hz	
Current	CT3 × 1(4) A, 3 × 1.5(6) A, 3 × 5(6) A, 3 × 5(20) A	
Starting Current	0.4 % Ib	
Voltage Circuit Power Consumption	≤2 W, 10 VA; ≤2 W, 6 VA	
Current Circuit Power Consumption	≤ 4 VA	
Display	LCD	
Meter Constant	800 imp/kWh, 1200 imp/kWh, 1600 imp/kWh	
Working Temperature Range	-25 °C ~ 70 °C	
Storage Temperature Range	-40 °C ~ 70 °C	
Humidity	≤ 95 %	
Accuracy Class	Active Class 1.0	
Protection Class	IP54	
Communication Interfaces	RS485, infrared, PLC / RF / GPRS (optional up-link communication)	
Dimesion	286 × 175 × 92.3 mm	

CL710C1/CL730C1 Single/Three Phase Card Energy Meter

CL710C1/CL730C1 Single/Three phase card prepayment energy meter are the latest developed products in CLOU's prepayment meter series. Certificated with DLMS/COSEM, they provide an excellent and stable performance and strong compatibility. The meters are equipped with a card slot for data card facilities. Meter credit recharge can be done manually through the user card, data which stored in meter also can be read back by the user card. At the other hand, parameters's configure/data review/clear tamper and some other functions also can be done by different type of cards. The meter also can do anti-tamper and record different tamper events.

Functions

- Support Bi-directional measurement
- Active/Reactive energy measurement
- MD (maximum demand) measurement
- Load profile record
- Auto scroll/Manual mode display, and support programmable of display list and duration
- Support different type of cards to implement different functions, such as open account card, user card, clear temple card ect
- Screw sealing
- Tamper detection
- Event log
- Billing/MD-Reset
- 8-pin interface for reading meter data when it is defect
- Built-in relay control



Options

- Real time clock (RTC)
- Neutral current measurement
- Multi tariff (TOU/TOD, Step tariff)
- Electrical pulse output
- Display when power-off
- Long/short terminal cover
- Tamper event readback
- Magnet detection
- DLMS/COSEM compliant
- External replaceable battery

Technical Parameters

Item	CL710C1	CL730C1
Rated Voltage	220 V, 230 V, 240 V	3 × 220/380 V, 3 × 230/400 V, 3 × 240/415 V
Working Voltage Range	0.7 ~ 1.3 Un	
Rated Frequency	50 Hz ± 5 %	
Current	5(60) A, 5(80) A, 5(100) A, 10(80) A, 10(100) A	3 × 5(40) A, 3 × 5(60) A, 3 × 5(80) A, 3 × 5(100) A
Starting Current	0.1 % Ib	
Voltage Circuit Power Consumption	≤ 1.5 W, 4 VA	
Current Circuit Power Consumption	≤ 1 VA	
Display	LCD	
Meter Constant	1600 imp/kWh	500 imp/kWh, 500 imp/kWh
Working Temperature Range	-25 °C ~ 60 °C	
Storage Temperature Range	-40 °C ~ 70 °C	
Humidity	≤ 95 %	
Accuracy Class	Active: 0.5 s	Active: 0.5 s, Reactive: 1.0
Protection Class	IP54	
Communication Interfaces	Infrared, 8-pin interface	
Dimesion	217.4 × 130 × 72 mm	285 × 175 × 82 mm

CL730D21L/H Three Phase Electronic Energy Meter

CL730D21L/H three phase electronic multifunctional CT/PT operated meter is a highly accurate meter that is ideally suited for commercial, industrial, and substation metering applications. It provides extensive measurement and tariff capabilities and supports load profile record and transmits remotely to perform energy accounting and energy audit functions via a variety of communication modules, which are replaceable and perfectly accommodating GPRS/3G/LTE communication modes.

Functions

- Support Bi-directional and Uni-directional measurement
- Reactive energy measurement
- MD (maximum demand) measurement
- Load profile record
- Auto scroll mode display
- Programmable auto scroll display item
- Screw sealing
- Tamper detection
- Event log
- Plug and play modularized design for GPRS/3G/LTE up-link communication
- AMI integrate



Options

- Real time clock (RTC)
- Multi tariff (TOU/TOD, ladder)
- Electrical pulse output
- MCB control input
- Remote control
- Remote firmware update
- Event report active
- Magnet detection
- DLMS/COSEM compiled
- External replaceable battery

Technical Parameters

Item	CL730D21L	CL730D21H
Rated Voltage	3 × 220/380 V, 3 × 230/400 V, 3 × 240/415 V	3 × 57.7/100 V
Working Voltage Range	0.6 ~ 1.1 Un	0.6 ~ 1.3 Un
Rated Frequency	50 Hz	
Current	CT 3 × 1(4) A, 3 × 1.5(6) A, 3 × 5(6) A, 3 × 5(20) A	
starting Current	0.4 % Ib, 0.2 % Ib	
Voltage Circuit Power Consumption	≤2 W, 10 VA; ≤2 W, 6 VA	
Current Circuit Power Consumption	≤1 VA	
Display	LCD	
Meter Constant	800 imp/kWh, 1200 imp/kWh, 1600 imp/kWh, 3200 imp/kWh, 6400 imp/kWh	
Working Temperature Range	-25 °C ~ 70 °C	
Storage Temperature Range	-40 °C ~ 70 °C	
Humidity	≤ 95 %	
Accuracy Class	Class 0.5 for active energy	
Protection Class	IP54	
Communication Interfaces	RS485, infrared, PLC / RF / GPRS (optional up-link communication)	
Dimesion	241 × 175 × 98.6 mm	

DTS719 Three Phase Smart Electronic Meter

DTS719 three phase four wire in-director connection meter has advanced and latest technology. It is low cost, compacted size and perfect accuracy. The meter built with high quality elements which allows the meter to have an excellent and stable performance. It is compliant with IEC 62052-11, IEC62053-22 and IEC62053-23 standard. The Polycarbonate (PC) is used for the external structure and transparent cover of the meter and these high engineering materials allow the meter to be installed outdoors without problems in any environment.

Functions

- Support Bi-directional and Uni-directional measurement
- Reactive energy measurement
- Multi tariff (TOU/TOD, Tier)
- MD (maximum demand) calculation
- Load profile function
- Auto scroll mode display
- Push-button scroll display
- Programmable auto/push-button scroll display item
- Screw sealing
- Button sealing
- Tamper detection
- Event log



Options

- Real time clock (RTC)
- Electrical pulse output
- External replaceable battery
- Display when power-off
- Long/short terminal cover
- DLMS/COSEM compatible
- AMI integrate

Technical Parameters

Item	Parameter
Rated Voltage (Un)	3 × 57.7/100 V, 3 × 220/380 V, 3 × 230/400 V, 4 × 240/415 V
Working Voltage Range	0.7 ~ 1.3 Un
Rated Frequency	50/60 Hz
Current	CT 3 × 1(4) A, 3 × 1.5(6) A, 3 × 5(6) A, 3 × 5(20) A
Starting Current	0.4 % Ib
Voltage Circuit Power Consumption	≤ 0.8 W, 1.5 VA
Current Circuit Power Consumption	≤ 0.8 VA
Display	LCD
Meter Constant	800 imp/kWh, 1200 imp/kWh, 1600 imp/kWh, 3600 imp/kWh, 6400 imp/kWh
Working Temperature Range	-25 °C ~ 70 °C
Storage Temperature Range	-40 °C ~ 70 °C
Humidity	≤ 95 %
Accuracy Class	Active 0.5 s / Reactive 2.0
Protection Class	IP54
Communication Interfaces	Infrared, RS485
Dimesion	163 × 130 × 56.5 mm

CL710K11 Single Phase Split STS Prepaid Energy Meter

CL710K11 Single Phase Two wires Split Prepaid Meter is a STS certified meter, compliant with IEC 62053-21, and IEC 62055-21/31/41 standards, while it also supports CTS configuration. The split design is designed targeted for maximum security against fraud, while retaining customer convenience. The main measurement and control unit (MCU) is in DIN rail-mount structure. The MCU is mounted inaccessible for the user while the UIU is installed at a point of convenience within the customer's premises. The user can retrieve power consumption and other information by the user interface unit (UIU). The communication between MCU and UIU is performed by power line carrier (PLC), current loop, RF or other communication defined by customers.

Functions

- Support Bi-directional and Uni-directional measurement
- Neutral current measurement
- Prepayment/post-payment mode switch
- Auto scroll mode display on UIU
- Split Keypad (UIU) operation display
- Programmable auto scroll display item
- Screw sealing
- Tamper detection
- Build-in relay control
- Event log
- AMI integrate



Options

- Real time clock (RTC)
- Multi tariff (TOU/TOD, Tier)
- Remote control
- Remote firmware update
- Event report active
- Magnet detection
- UIU (user interface unit) by PLC/RF/Cable communication
- DLMS/COSEM compliant

Technical Parameters

Item	Parameter
Rated Voltage (Un)	110 V, 120 V, 220 V, 230 V, 240 V
Working Voltage Range	0.7 ~ 1.3 Un
Rated Frequency	50/60 Hz
Current	5(40) A, 5(60) A, 5(80) A
Starting Current	0.4 % Ib, 0.2 % Ib
Voltage Circuit Power Consumption	≤ 2 W, 10 VA
Current Circuit Power Consumption	≤ 4 VA
Display	LCD
Meter Constant	800 imp/kWh, 1200 imp/kWh, 1600 imp/kWh
Working Temperature Range	-25 °C ~ 70 °C
Storage Temperature Range	-40 °C ~ 70 °C
Humidity	≤ 95 %
Accuracy Class	Class 1.0
Protection Class	IP54
Communication Interfaces	Infrared / PLC
Dimesion	155.2 × 54.6 × 94.3 mm

CL710K11 Single Phase Split STS Prepaid Energy Meter

CL710K11 Single Phase Two wires Split Prepaid Meter is a STS certified meter, compliant with IEC 62053-21, and IEC 62055-21/31/41 standards, while it also supports CTS configuration. The split design is designed targeted for maximum security against fraud, while retaining customer convenience. The main measurement and control unit (MCU) is in DIN rail-mount structure. The MCU is mounted inaccessible for the user while the UIU is installed at a point of convenience within the customer's premises. The user can retrieve power consumption and other information by the user interface unit (UIU). The communication between MCU and UIU is performed by power line carrier (PLC), current loop, RF or other communication defined by customers.

Functions

- Support Bi-directional and Uni-directional measurement
- Neutral current measurement
- Prepayment/post-payment mode switch
- Auto scroll mode display on UIU
- Split Keypad (UIU) operation display
- Programmable auto scroll display item
- Screw sealing
- Tamper detection
- Build-in relay control
- Event log
- AMI integrate



Options

- Real time clock (RTC)
- Multi tariff (TOU/TOD, Tier)
- Remote control
- Remote firmware update
- Event report active
- Magnet detection
- UIU (user interface unit) by PLC/RF/Cable communication
- DLMS/COSEM compliant

Technical Parameters

Item	Parameter
Rated Voltage (Un)	230 V
Working Voltage Range	0.7 ~ 1.3 Un
Rated Frequency	50/60 Hz
Current	5(40) A, 5(60) A, 5(80) A
Starting Current	0.4 % Ib
Voltage Circuit Power Consumption	≤ 2 W, 10 VA
Current Circuit Power Consumption	≤ 4 VA
Display	LCD
Meter Constant	1000 imp/kWh
Working Temperature Range	-25 °C ~ 70 °C
Storage Temperature Range	-40 °C ~ 70 °C
Humidity	≤ 95 %
Accuracy Class	Active Class 1.0
Protection Class	IP54
Communication Interfaces	Infrared / PLC
Dimesion	166.5 × 56 × 95 mm

DDS720E ANSI Socket Type Meter

DDS720E ANSI socket type watt-hour meter is a solid-state, single-phase residential electricity meter that provides utilities with unparalleled digital accuracy, reliability and serviceability in a cost-effective package. It complies with the latest ANSI standards C12.1-2008 for Electric Meters, Code for Electricity Meter and C12.20-2010 for Electricity Meters-0.2 and 0.5 Accuracy Classes.

The adoption of high grade components of the meter offers unsurpassed accuracy and reliability, while its latest manufacture technology ensures its precise measurement, advanced capabilities and an extended operating life.

The meter is built with solid, flame-retardant, aging proof material and offers ultrasonic welding mechanism for its housing.

With its versatility in communication, the meter allows incorporation in the existing data collection system, delivering advanced metering benefits.

Standard Features

- Support Bi-directional and Uni-directional measurement
- LCD display in large screen of wide temperature range
- Infrared communication
- Read display without power
- Detection of tampering by reverse wiring
- Screw /ultrasonic sealing

Options

- Multi tariff
- External replaceable battery
- RF/ZigBee communication
- Cover open detection



Technical Parameters

Item	Parameter
Socket Type	FM1S2W, FM2S3W
Rated Voltage Un	120 V, 240 V
Working Voltage Range	0.7 ~ 1.2 Un
Current Class and Test Amperes	CL200 / TA30 A, CL100 TA15 A
Frequency	50/60 Hz
Display	LCD (52 × 27 mm)
Meter Constant (Kh)	10, 20
Voltage Circuit Power Consumption	≤ 1.7 W, 1 VA
Current Circuit Power Consumption	≤ 1 VA
Accuracy Class	0.2, 0.5
Working Temperature Range	-30 °C ~ 65 °C
Storage Temperature Range	-40 °C ~ 85 °C
Humidity	≤ 95 %
Communication Interface	Infrared, Optional: RF / ZigBee
Dimension	176 × 176 × 99 mm

CL818C Concentrator

CL818C intelligent data concentrator is an important part of AMI system, it connects data collector with master station and performs task setting, data collection, data transmission and data storage, meter management, GPRS information task execution and RF network management.

Functions

- Data acquisition
- Data management and storage
- Parameter setting and inquiry
- Events record
- Remote update
- Local communication functions

Features

- Embedded Linux system
- Managing up to 1024 meters
- Large flash memory
- Automatic routing management
- Three-level security management
- LCD display and button function
- DLMS/COSEM protocol



Technical Parameters

Item	Parameter
Rated Voltage (Un)	2 × 120 V, 3 × 220 V, 3 × 230 V, 3 × 57.7 V
Current	1.5 (6) A, 5 A (6 A), 5 A (10 A)
Frequency	50 Hz ± 5 %
Accuracy Class	Class 1.0
Communication Interfaces	Uplink: CDMA / GPRS / 3G / LTE, downlink: PLC(G3) / RF / Zigbee
Working Temperature	-25 °C ~ 70 °C
Limit Working Temperature	-40 °C ~ 70 °C
Humidity	≤ 95 %
Dimension	290 × 180 × 95 mm

UIU

UIU is working as independent keypad of energy meter, as the display interface. Also part of split keypad meter, like working with DIN meter, it is the key function of keypad meter, for token (20 digit number) communication. Between UIU and MCU (measurement control unit) has several type of communication, like PLC/RF/pair cable for different solution.



UIU Parameters

Item	Parameter	
Communication Interfaces	PLC	Cable
Working Voltage Range	0.7 ~ 1.3 Un	
Dimension	78.82 × 143.63 × 42.03 mm	64.3 × 134 × 36.5 mm

HHU



Features

- Powerful: Newest android 5.1 / Win CE 60 OS. optional
- Excellent: Max RFID module, NFC, Barcode and antenna function
- Advanced: Over molding design for stronger structure
- Humanist: Innovative lightweight, qwerty keyboard, hand grip ergonomic descign
- Industrial: Ip65 rugged, 1.5m free drop tested, applying to kinds of severe environment

Applications

Electricity	Equipment Management	Cable Management	Electric Meter Tracking
Traffic	Vehicle / Tire Checking	Customs Clearance Control	Vehicle Owner Management
Finance	Documents Flow Tracking	ATM Cashbox Trace	Employee Management
Retail	Inventory / Cycle counting	Receiving / Shrink control	Automatic Replenishment
Enterprise	Asset / IT Management	File and Documents Tracking	Employee Management
Manufacturing	Work in Process (WIP)	Receiving / Shipping	Quality Control
Logistic	Picking / Delivering	Package Tracking	Item Finding
Supply Chain	Container Tracking	Clod China Tracking	Purchase / Sale / Stock System

CL754A Single Phase Meter Enclosure

The meter enclosure is exclusively designed for the purpose of anti-tamper and protection of meter. The material of enclosure is polycarbonate and ABS. The CL754A Meter enclosures can accommodate: 2 pcs DIN rail mounted meters, or 1 pcs single phase meter with bottom connection.

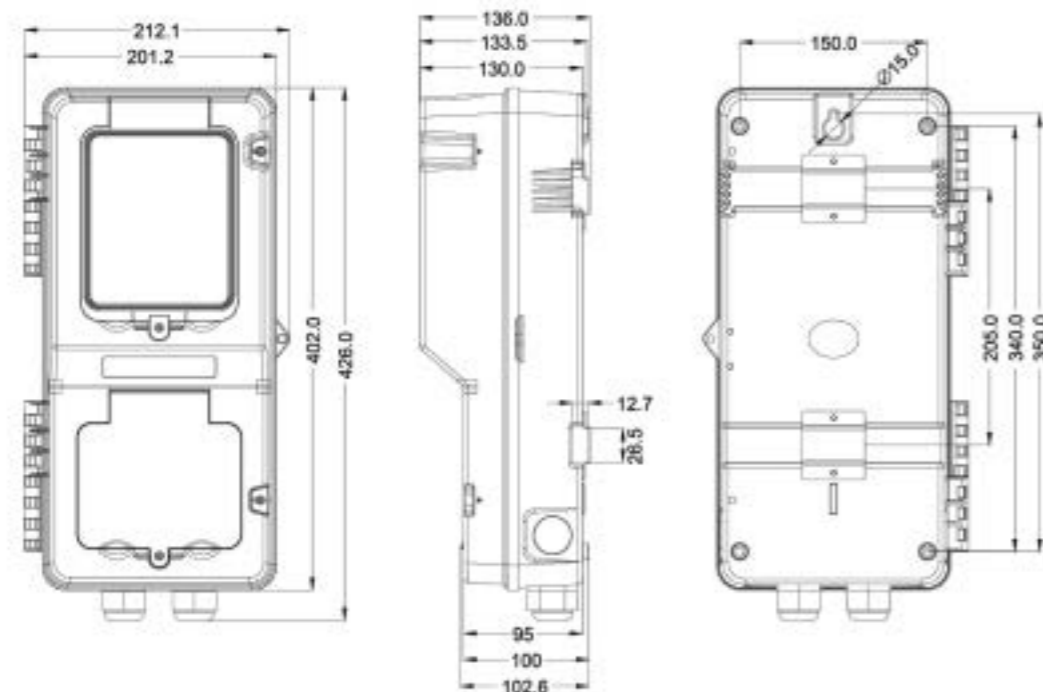


Standard Features

- Protection rating: IP54
- Water proof
- Dust proof
- UV resistant
- Small size and easy installation
- Available for prepaid and credit meters
- Sealable lock

Options

- Alarm sensor for box opening
- Lock and key protection



CL754B Three Phase Meter Enclosure

The meter enclosure is exclusively designed for the purpose of anti-tamper and protection of meter. The material of enclosure is polycarbonate and ABS. The CL754B Meter enclosures can accommodate: 4 pcs DIN rail mounted meters, or 1 pcs three phase meter with bottom connection.

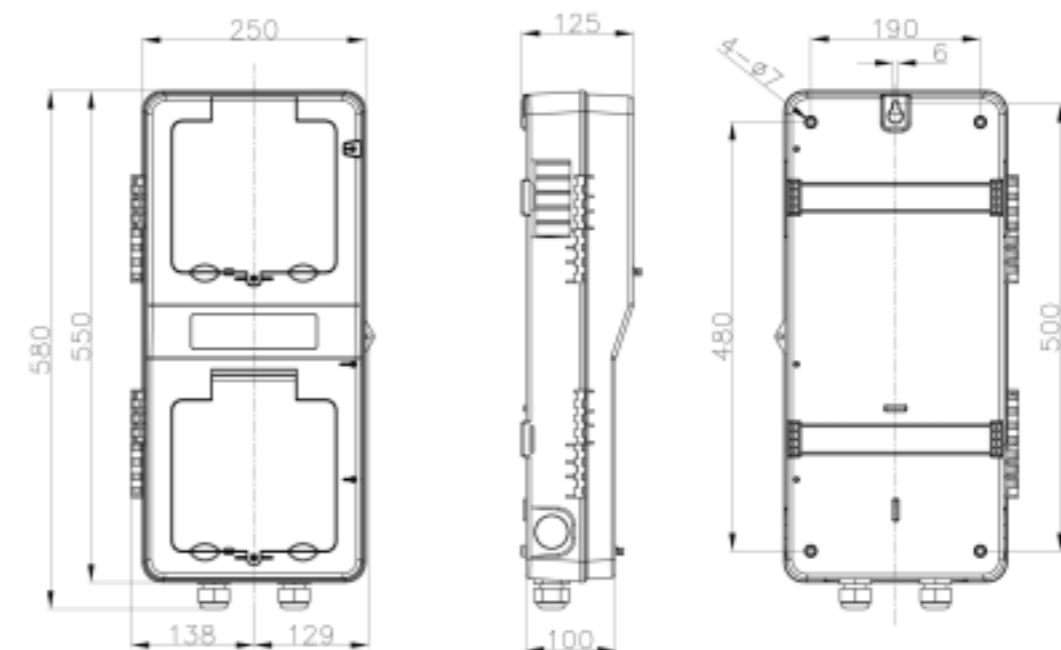


Standard Features

- Protection rating: IP54
- Water proof
- Dust proof
- UV resistant
- Small size and easy installation
- Available for prepaid and credit meters
- Sealable lock

Advanced Features

- Alarm sensor for box opening
- Lock and key protection



CL754C Meter Enclosure

The meter enclosure is exclusively designed for the purpose of anti-tamper and protection of meters. The material of this box is polycarbonate and ABS. The CL754C Meter enclosures can accommodate: 4 pcs DIN rail mounted meters, or 2 pcs single phase meter with bottom connection, or 1 pcs three phase meter with bottom connection.

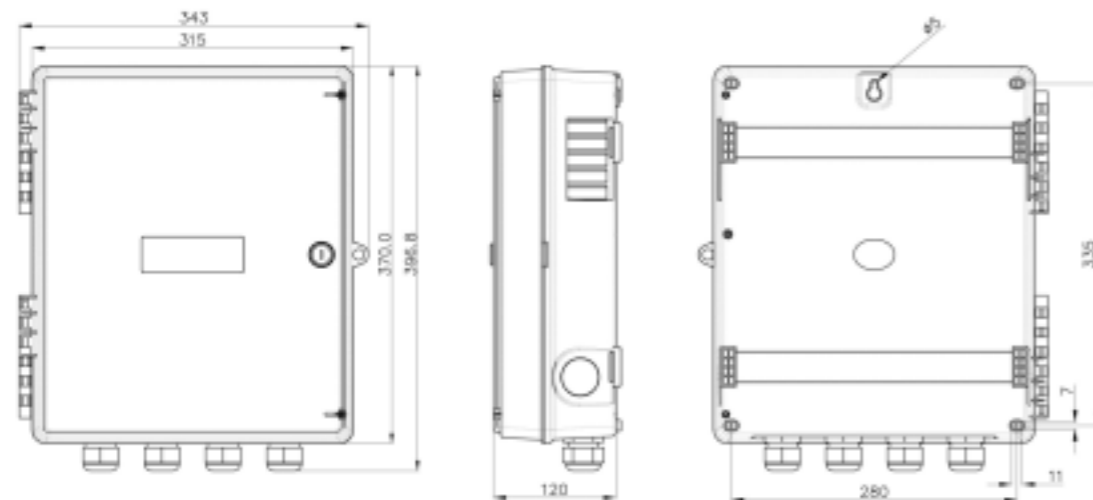


Standard Features

- Protection rating: IP54
- Water proof
- Dust proof
- UV resistant
- Small size and easy installation
- Available for prepaid and credit meters
- Sealable lock

Advanced Features

- Alarm sensor for box opening
- Lock and key protection



CL754E Single Phase DIN-rail Meter Enclosure

The meter enclosure is exclusively designed for the purpose of anti-tamper and protection of meters. The material of the enclosure is polycarbonate and ABS, or polycarbonate and fiberglass. CL754E enclosure can accommodate: 2 pcs single phase two wire Din-rail meters, or 1 pcs single phase three wire Din-rail meter and 1 pcs circuit breaker.



Standard Features

- Protection class: IP54
- Water proof, dust proof, solar radiation proof
- Small size and easy installation
- Available for prepayment and post-payment meters
- Sealing screw

